

# LEX-POBS 100KA-FI

**Stainless steel swivel castor, with top plate fitting, with brake system 'stop-fix', heavy duty wheel, with Blickle Besthane® Soft polyurethane tread, with nylon wheel centre, with synthetic thread guard**

**EAN** 4047526314477  
**ID** 901234  
**Customs tariff number** 87169090



**Bracket:** LEX series

- high-quality chromium-nickel steel (1.4301/AISI 304), stainless steel, vibration-ground finishing
- all parts including axle material are corrosion-resistant
- double ball bearing in the swivel head
- swivel head seal
- minimum swivel head play and smooth rolling characteristic and increased service life due to the special dynamic Blickle riveting process

**Wheel:** POBS series

- tread: high-quality polyurethane elastomer Blickle Besthane® Soft, hardness 75 Shore A, colour blue, non-marking, non-staining, very low rolling resistance, **high dynamic load capacity**, corrosion and hydrolysis-resistant
- wheel centre: high-quality nylon 6, impact resistant, colour black

**Other features:**

- with synthetic thread guard, small
- corrosion and hydrolysis-resistant
- high chemical resistance to many aggressive substances
- operating temperature: -20 °C to +70 °C, temporarily up to +90 °C, reduced load capacity over +35 °C

**Technical data:**

Wheel Ø (D)	⌀	100 mm
Wheel width	⊥	38 mm
Load capacity at 4 km/h	⊞	150 kg
Load capacity (static)	⊞	375 kg
Bearing type	⊙	ball bearing (C)
Total height (H)	⊘	125 mm
Plate size	⊞	100 x 85 mm
Bolt hole spacing	⊞	80 x 60 mm
Bolt hole Ø	⊘	9 mm
Offset (F)	⊘	33 mm
Temperature resistance min		-20 °C
Temperature resistance max		70 °C
Tread and tyre hardness		75 Shore A
Unit weight	⊞	0.8 kg
Non-marking		✓
Electrically conductive	⊞	✗
Antistatic	⊞	✗
Corrosion-resistant		✓
Heat-resistant	⊞	✗
Non-staining		✓

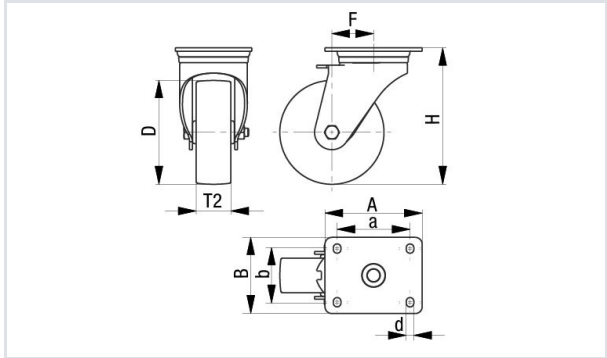
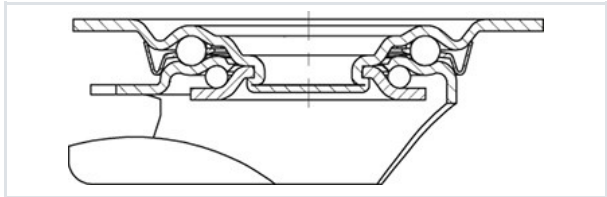


**Tread and tyre hardness**  
 ■■■■□□ 75 Shore A

**Rolling resistance**  
 ■■■■■■ excellent

**Wear resistance**  
 ■■■■□□ very good

**Operating noise / floor surface preservation**  
 ■■■■□□ very good



Tread hydrolysis-resistant	✓
Suitable for autoclaves	✗
Suitable for machine washing	✗