

# LE-POEV 100KA-FI-SB

Pressed steel swivel castor, with top plate fitting, with brake system 'stop-fix', heavy duty wheel, with 'Blickle EasyRoll' elastic solid rubber tyres, with nylon wheel centre, non-marking, blue, with synthetic thread guard

EAN 4047526605070  
 ID 605071  
 Customs tariff number 87169090



**Bracket:** LE series

- pressed steel, zinc-plated, blue-passivated, Cr6-free
- double ball bearing in the swivel head
- swivel head seal
- minimum swivel head play and smooth rolling characteristic and increased service life due to the special dynamic Blickle riveting process

**Wheel:** POEV series

- tyre: high-quality elastic solid rubber "Blickle EasyRoll" in smooth rolling quality, hardness 65 Shore A, colour blue, non-marking
- wheel centre: high-quality nylon 6, impact resistant, colour black

**Other features:**

- with synthetic thread guard, small
- high chemical resistance to many aggressive substances, except oils
- operating temperature: -20 °C to +80 °C, temporarily up to +100 °C, reduced load capacity over +35 °C



**Technical data:**

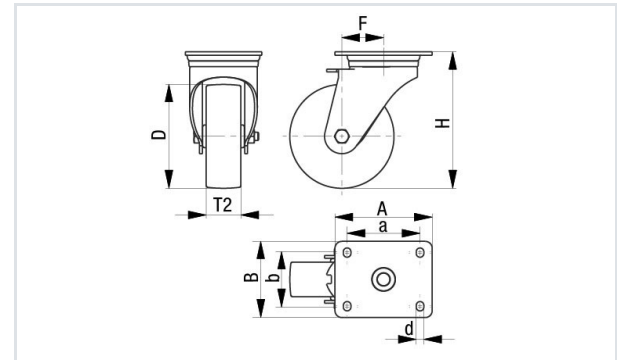
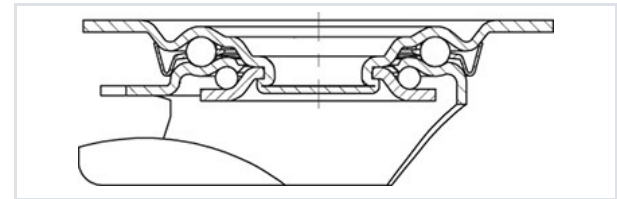
Wheel Ø (D)	⌀	100 mm
Wheel width	∅	32 mm
Load capacity at 4 km/h	⊞	150 kg
Load capacity (static)	⊞	375 kg
Bearing type	⊙	ball bearing (C)
Total height (H)	⊘	125 mm
Plate size	⊞	100 x 85 mm
Bolt hole spacing	⊞	80 x 60 mm
Bolt hole Ø	⊞	9 mm
Offset (F)	⊞	36 mm
Temperature resistance min		-20 °C
Temperature resistance max		70 °C
Tread and tyre hardness		65 Shore A
Unit weight	⊞	0.774 kg
Non-marking	✓	
Electrically conductive	✗	
Antistatic	✗	
Corrosion-resistant	✗	
Heat-resistant	✗	
Non-staining	✓	
Hydrolysis-resistant	✗	
Suitable for autoclaves	✗	

**Tread and tyre hardness**  
 ■■■■■ 65 Shore A

**Rolling resistance**  
 ■■■■■ very good

**Wear resistance**  
 ■■■■■ good

**Operating noise / floor surface preservation**  
 ■■■■■ very good



Suitable for machine washing

